

CODE NUMBER

4021004

DESCRIPTION

Polished Chrome Finish, Act-O-Matic® Standard Showerhead.

DETAILS

- Finish: Polished Chrome (CP)
- Flow Rate: 2.5 gpm (10 Lpm) (2.5GPM)
- Self-Cleaning: Yes

FEATURES

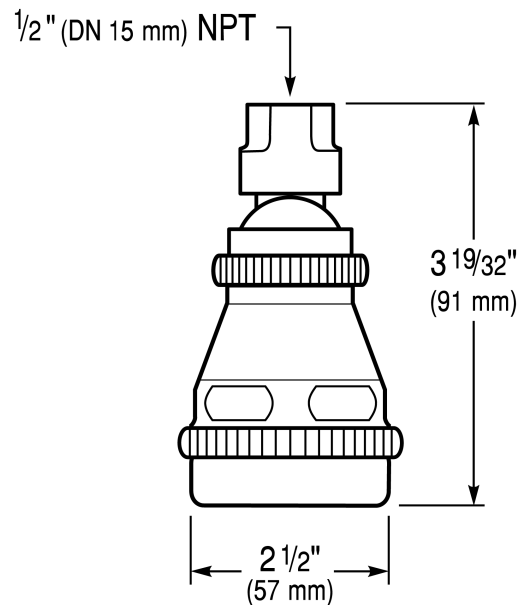
Act-O-Matic, Polished Brass PVD Plated Shower Head with the following features:

- Spring loaded, Self-cleaning Spray Disk to prevent particle clogging
- “Cone-within-a-cone” Spray Pattern for total body coverage
- Pressure Compensating 2.5 gpm/9.4 Lpm Flow Control
- All Brass Construction
- 1/2” I.P.S. Inlet
- Universal Ball Joint

Shower Head shall be in conformance to all requirements of ANSI/ASME Standard A112.18.1M, CSA B-125 and the United States Federal Energy Policy Act.

DOWNLOADS

- [Showerhead Parts and Accessories Repair and Maintenance Guide](#)
- [Additional Downloads](#)



COMPLIANCES & CERTIFICATIONS



(BAA Compliant, cUPC Certified)

RECOMMENDED SPECIFICATION

Sloan Act-O-Matic Showerhead model no. AC-51 2.5 gpm. Polished Brass PVD Plated.

NOTES

All information contained within this document subject to change without notice.